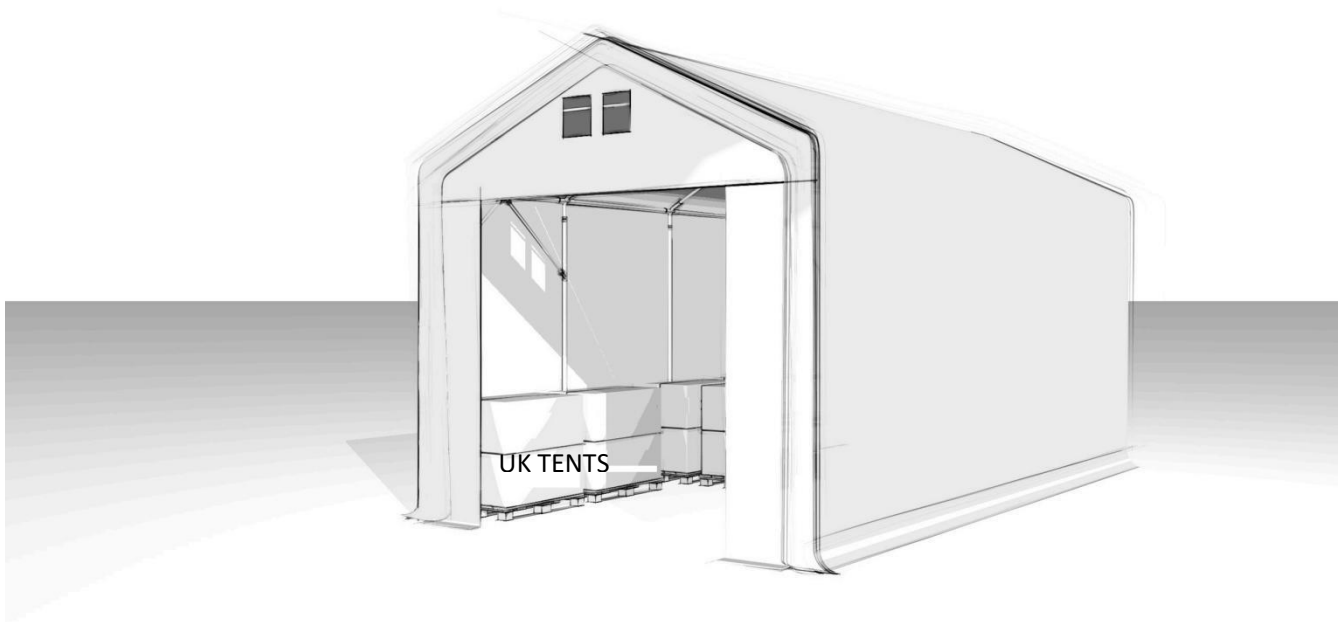


TITAN 3 m x 6 m, 3 m x 8 m, 3 m x 10 m

Assembly instructions PVC Tent





TITAN 3 m x 6 m, 3 m x 8 m, 3 m x 10 m

Safety Instructions

Introduction

Congratulations on the purchase of your new product and welcome to UK TENTS. Our customer service department or authorized sales representative will be happy to answer your questions and give any valuable instructions. Your new tent will give you freedom to plan many activities. It can be used at a party, to screen you from the sun- light, as a shelter, for storage and in many other ways.

Please observe the instructions provided below in order to extend the useful life of your tent.

Important

Please read these assembly instructions before usage of the tent and keep it for future reference.

Safety

The tent was not tested for wind and snow clearly indicated by the manufacturer. Therefore, these loads are not covered by guarantee. Please watch the weather forecasts to be able to properly protect or disassemble the tent before problems appear.

Warnings

Tents are intended for temporary accommodation and should be taken down in adverse weather conditions. Always be sure to keep sufficient distance to hoses as well as gas and power lines to avoid possible damage. Please check the area for power cables and gas lines. Ask your local authority for further information to avoid damages.

When using suitable heaters (available e. g. in specialist shops), keep a minimum distance of 1.2 m to tarp material. Open fire or heaters with open flames such as patio heaters, umbrella heaters, gas heaters etc. should not be used in any case.

The person setting up the tent is responsible for adequately securing it to ensure its safety. Please check the anchoring constantly to avoid damages. A stable anchoring can extend the endurance of the tent.

Please wear head protection, gloves and solid shoes. The heavy metal parts could have sharp edges and could be oily because of rust prevention treatment.

Please make sure that there is no permanent snow load. It should be removed right away. The same applies for rain and other forms of load.

Children should not play with the spare parts of the tent. These components must be adequately protected.

Please find a flat and even ground base to pitch the tent. Only those materials provided with the tent can be used.



TITAN 3 m x 6 m, 3 m x 8 m, 3 m x 10 m

Caution!

Please check whether the ground base is suitable for your purpose. The tent can be used also during temperatures a few degrees below zero. However, prior to such use, the tarp material must be stored in temperature of at least 10 °C for a sufficiently long time, and then unwrapped at such, or higher temperature. Otherwise, the material may break at points of folds.

Each country has separate regulations regarding movable structures (tents) and unmovable structures. Please ask your local authorities whether a permission be obtained to pitch the tent. In some countries this depends on the size of the tent. The tarps should not come into contact with any objects with sharp edges.

Before first usage

Please unpack the cartons and check against the packing list enclosed whether all parts have been delivered. Metal parts have been covered by a thin film of lubricant in the manufacturer's plant. Some parts may have more than the ordinary amount of lubricant on them. In such case, use a cloth to remove excess lubricant. Please excuse us for that.

The screws joining the pipes with connectors must be tightened manually, using a hexagon key or an automatic screw driver, set at a max. level 2, to avoid material wear.

Cleaning and storage

Please do not use aggressive chemicals to clean the tarp material. The best cleaning agent is water with slightly alkaline reaction. The tent should not be folded and packed when wet. First dry it thoroughly.

Do not make any modifications of the metal structure of the tent, such as for example, connecting and/or welding additional loads, making grooves and/or any deformations.

Please be careful when handling individual components of the tent. During disassembly, please use the packing list again to check the possible missing parts, so as to avoid problems with next assembly.

Environment

After the end of usage, please do not dispose of the tent or any of its components with ordinary garbage, but recycle it. If in doubt, please ask the manufacturer or an authorized sales representative. We will be happy to help you recycle the tent correctly, at the same time preserving the environment.

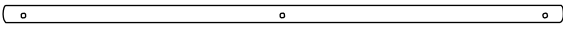
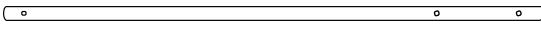
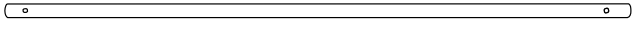

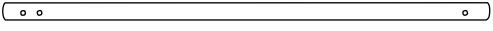
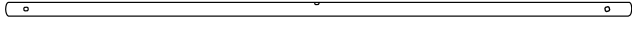
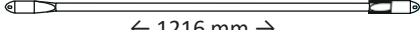


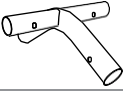
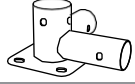
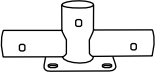
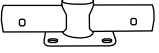
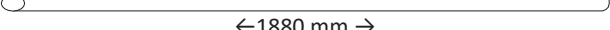
Guarantee and customer services

If you need any information or have any problems, please contact us



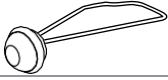
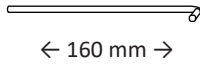
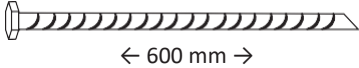
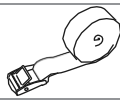

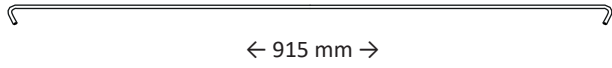




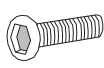
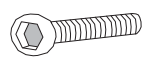

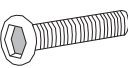
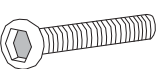

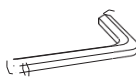
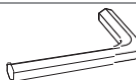
TITAN 3 m x 6 m, 3 m x 8 m, 3 m x 10 m

Contents

Item no.		6 m	8 m	10 m
1	 Ø50 mm ← 1490 mm →	8	10	12-
2A	 Ø38 mm ← 1410 mm →	4	4-	4-
2	 Ø38 mm ← 1920 mm →	11	16	21
3	 Ø50 mm ← 1507 mm →	8	10	12
4	 Ø50 mm ← 1483 mm →	8	10	12
5	 Ø38 mm ← 1920 mm →	4	4	4
6	 Ø25mm ← 1216 mm →	8	8	8
7	 Ø25mm ← 1408 mm →	4	6	6
8		6	-6	6
9		6	9	12
10		4	4	4
11		4	6	8
12		2	2	2
13	 Ø25mm ← 1880 mm →	6	8	10



TITAN 3 m x 6 m, 3 m x 8 m, 3 m x 10 m

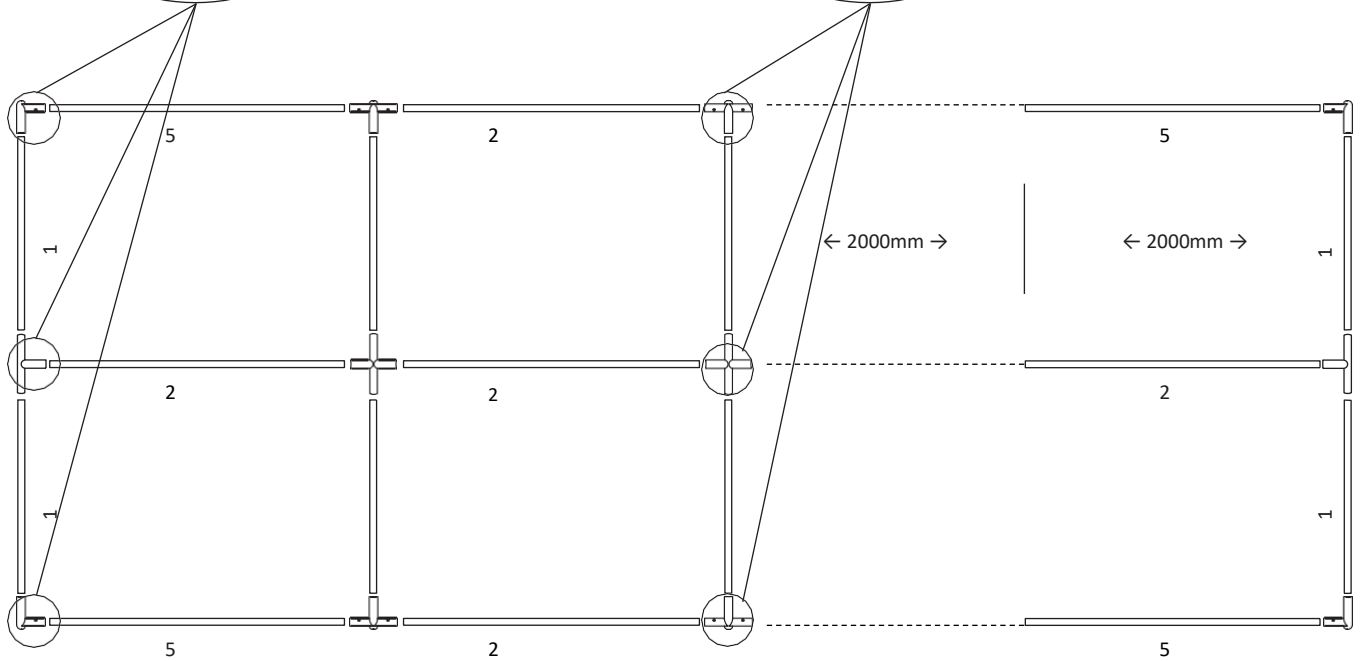
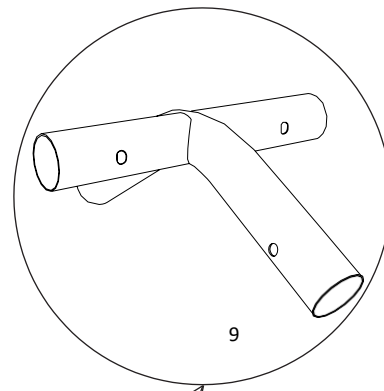
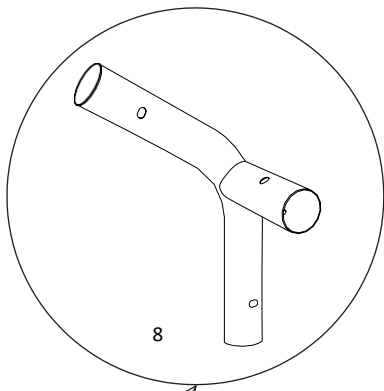
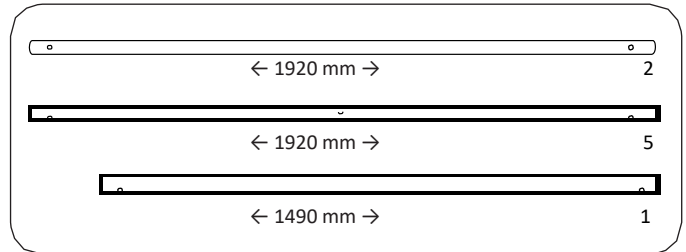
Item no.		6 m	8 m	10 m
14		56	56	56
15		30	34	38
16		8	10	12
17		18	18	18
18		4	4	4
19		12	16	20
20		6	8	10
21	M8 	4	4	4
22		1	1	1
23		2	2	2
24	M6 45 mm 	4	4	4
25	M6 55 mm 	16	18	20
26	M6 	20	22	24
27	M8 50 mm 	42	52	62
28	M8 70 mm 	48	56	64
29	M8 	90	108	126
30	M6 	1	1	1
31	M8 	1	1	1



TITAN 3 m x 6 m, 3 m x 8 m, 3 m x 10 m

Assembly instructions

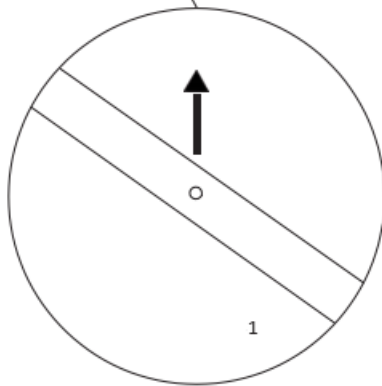
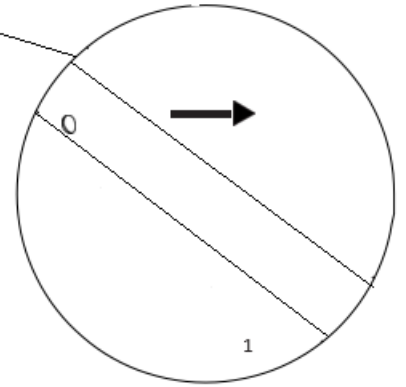
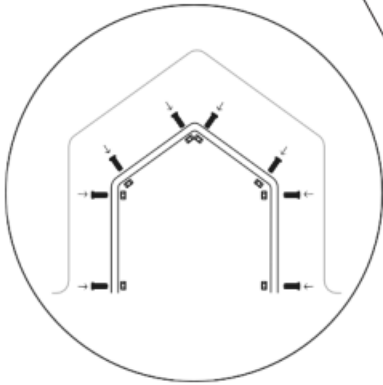
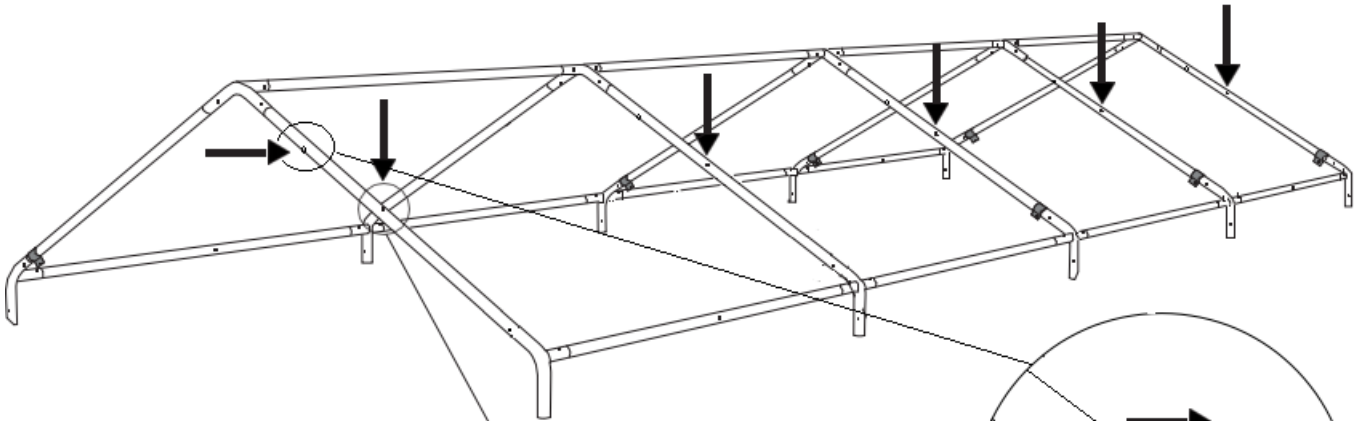
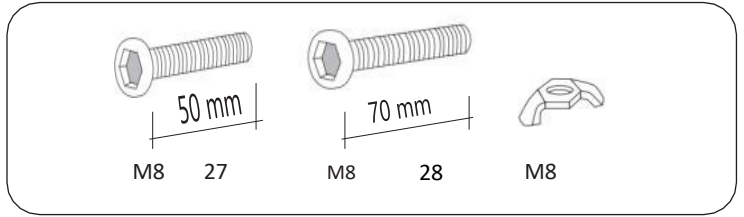
1



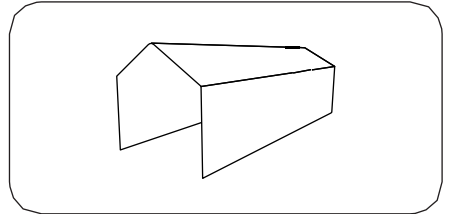
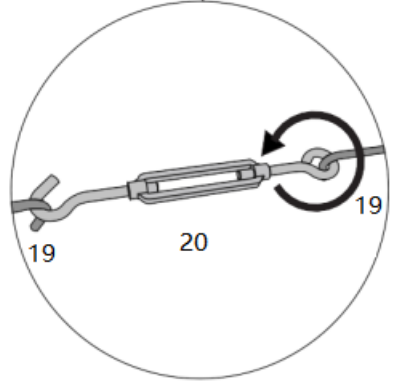
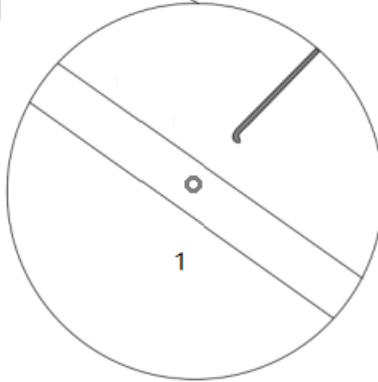
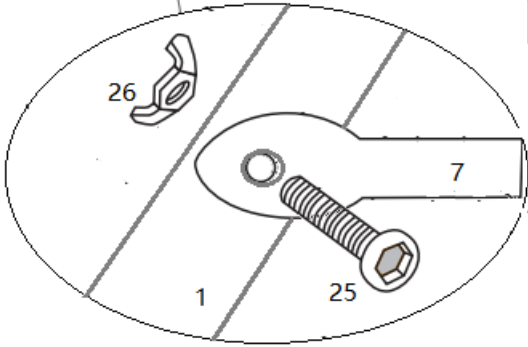
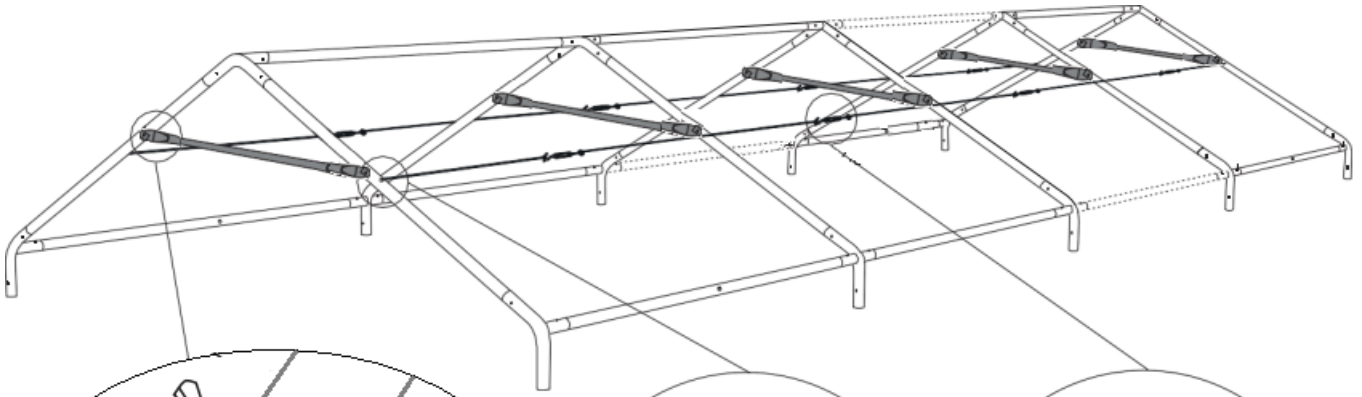
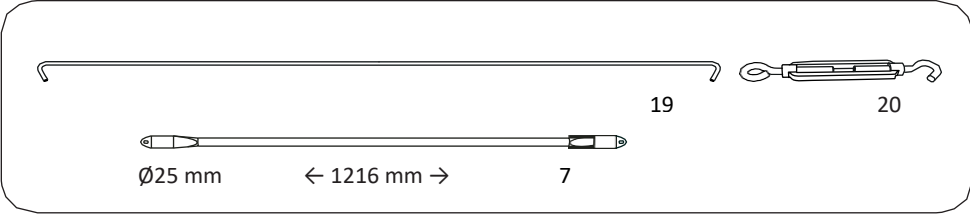
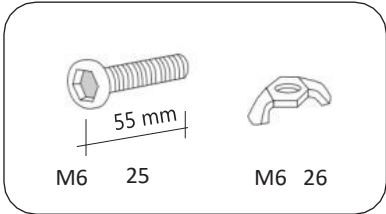


TITAN 3 m x 6 m, 3 m x 8 m, 3 m x 10 m

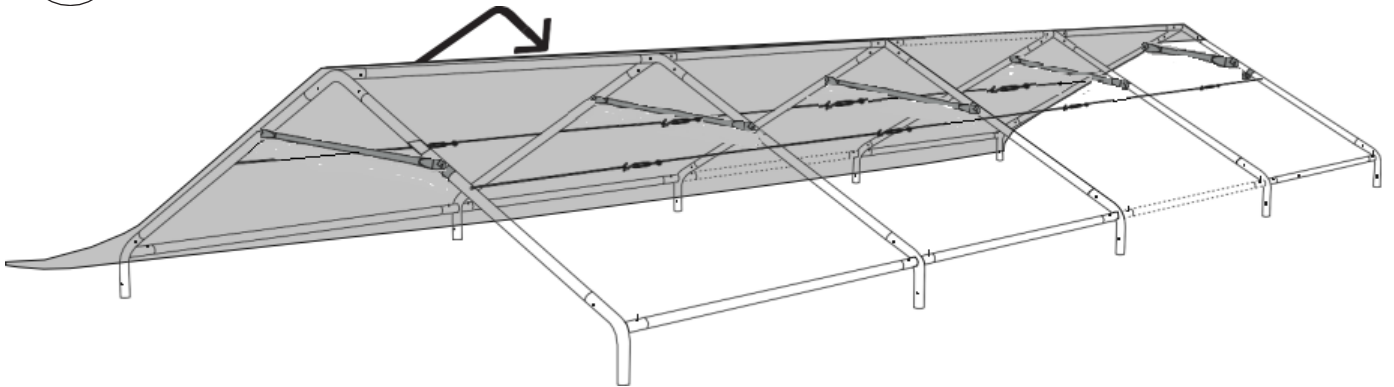
2



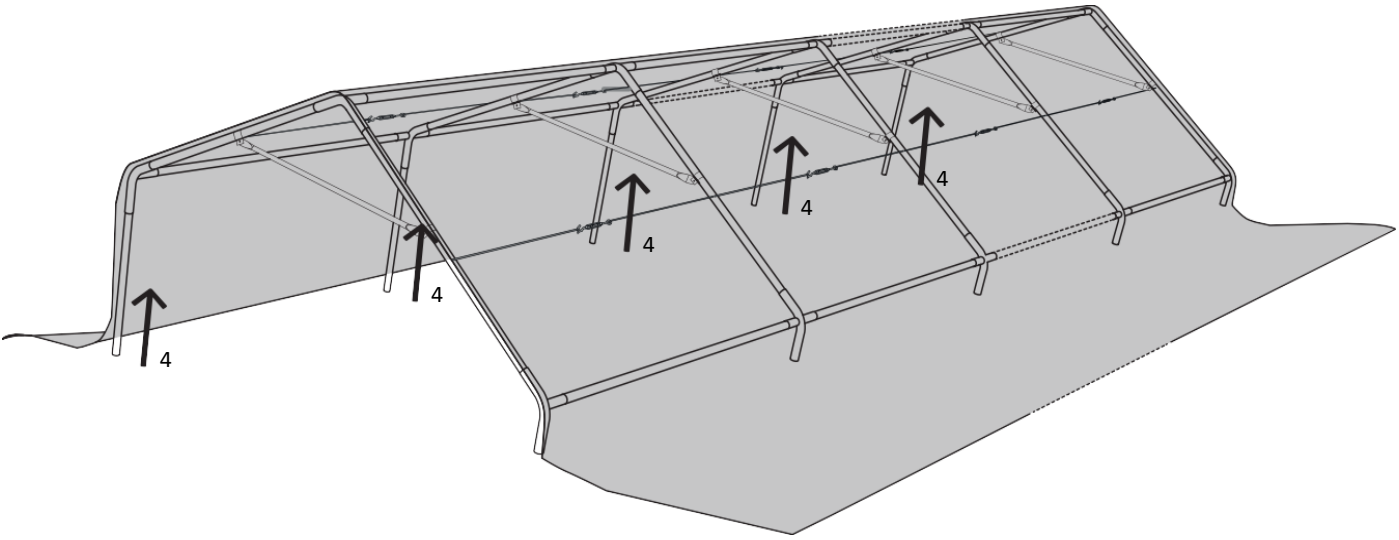
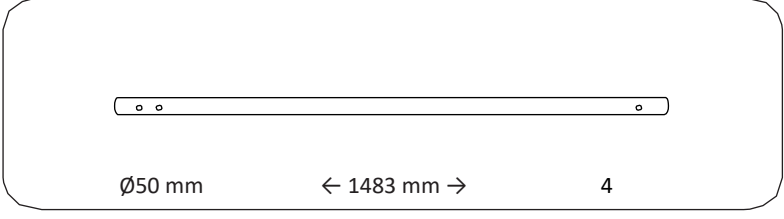
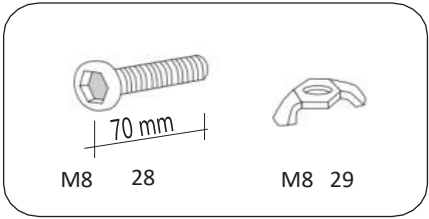
3



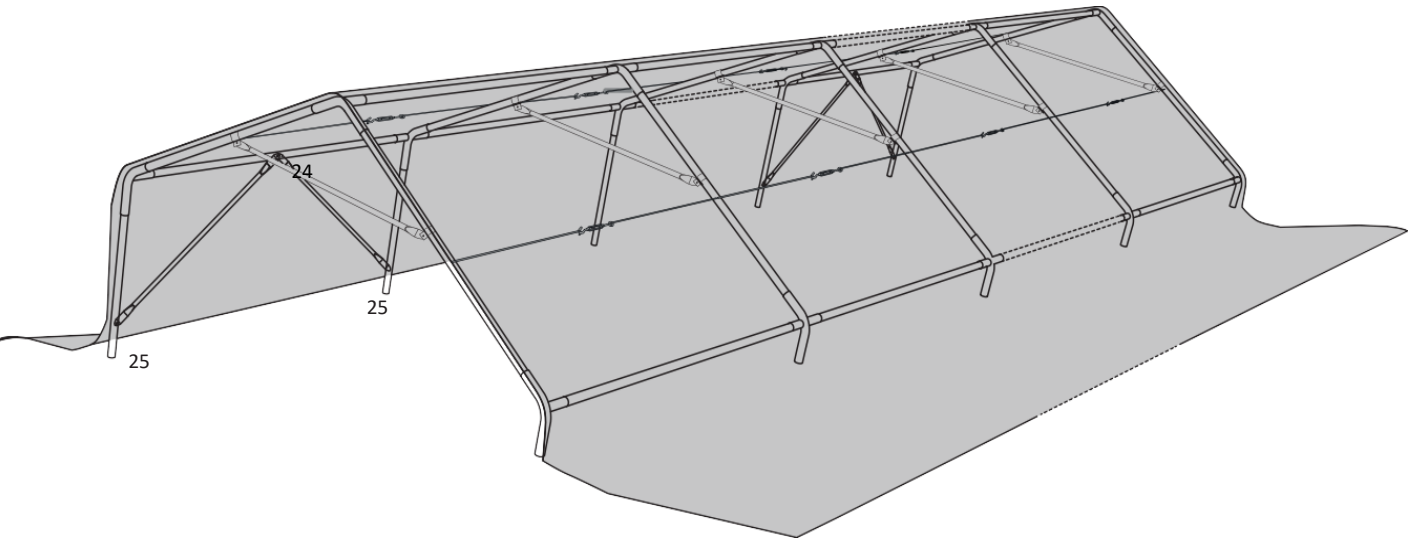
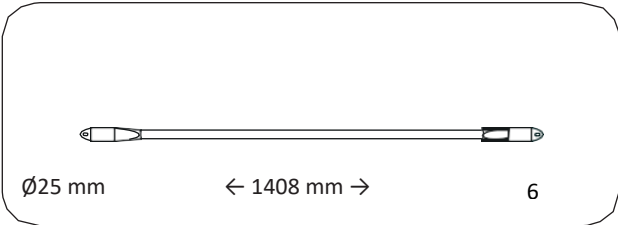
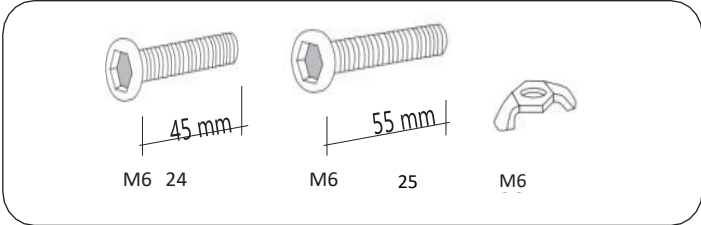
4



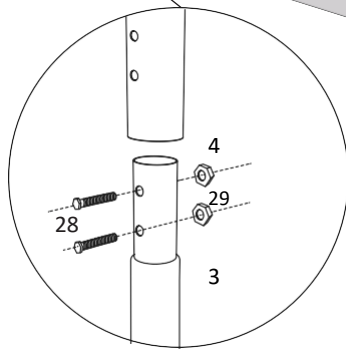
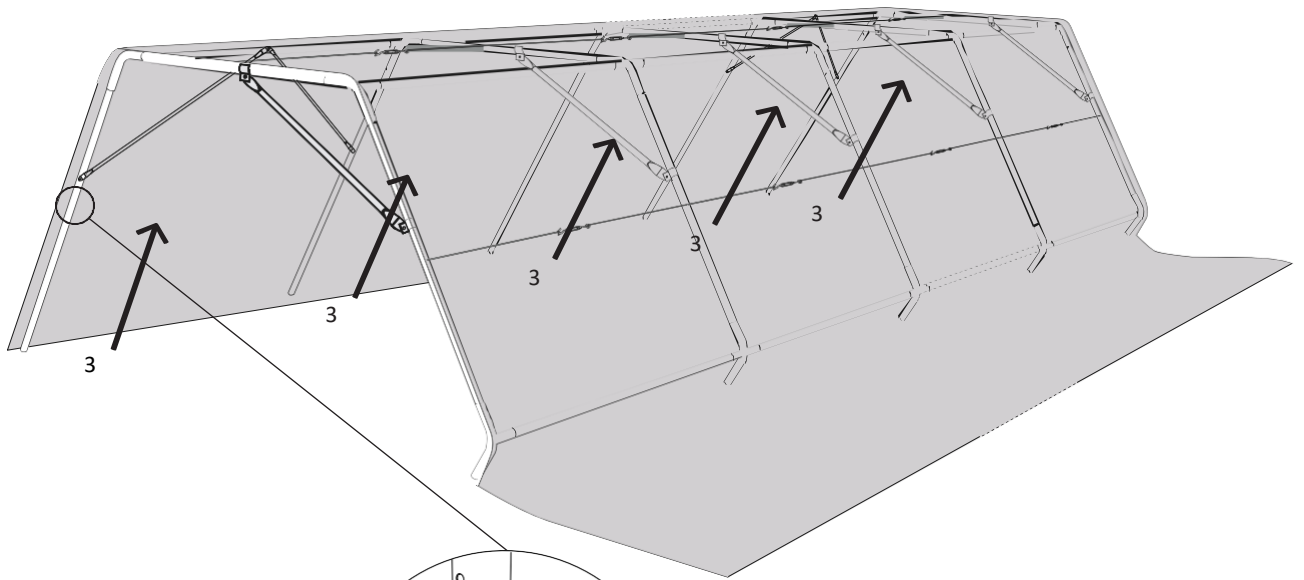
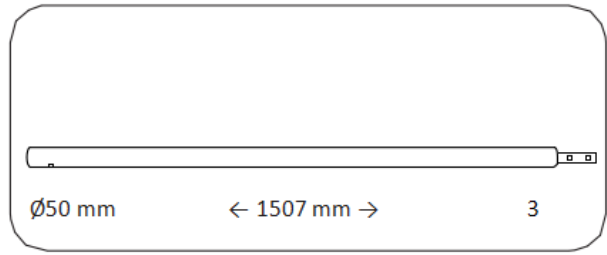
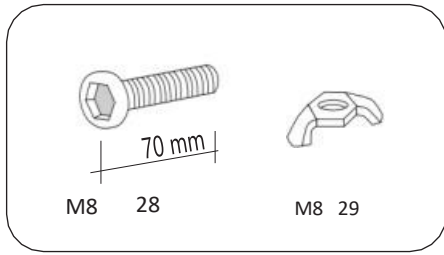
5



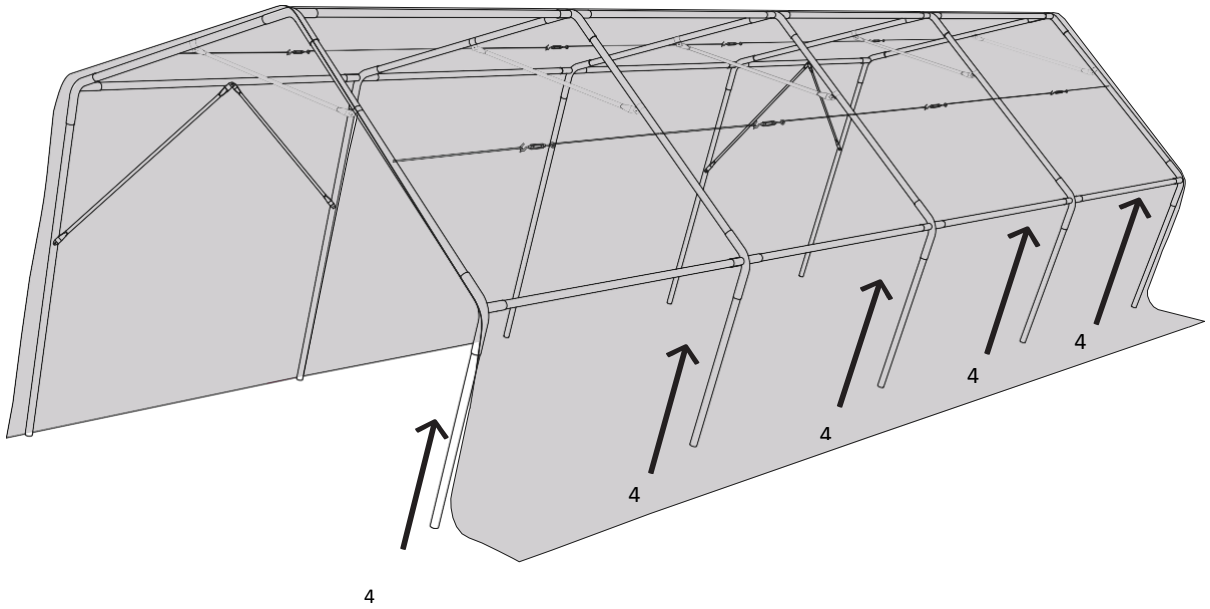
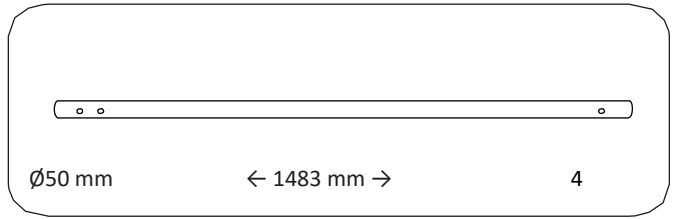
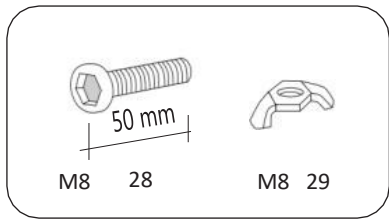
6



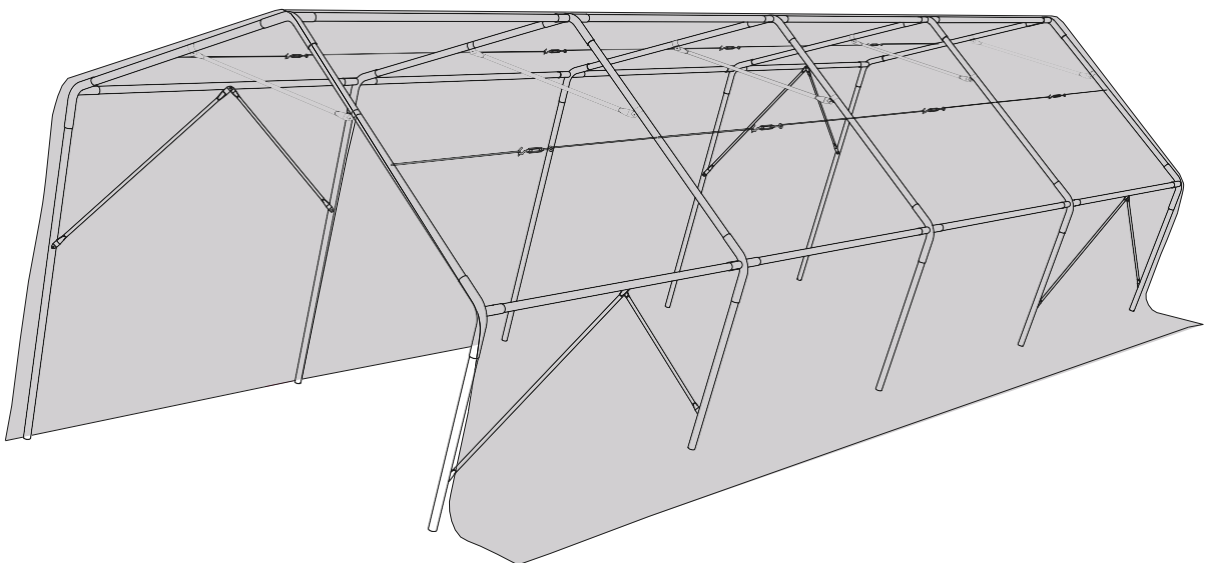
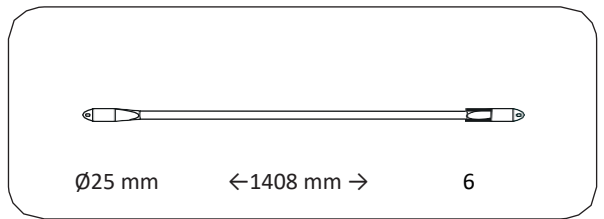
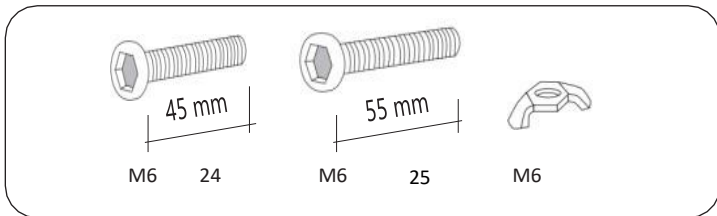
7



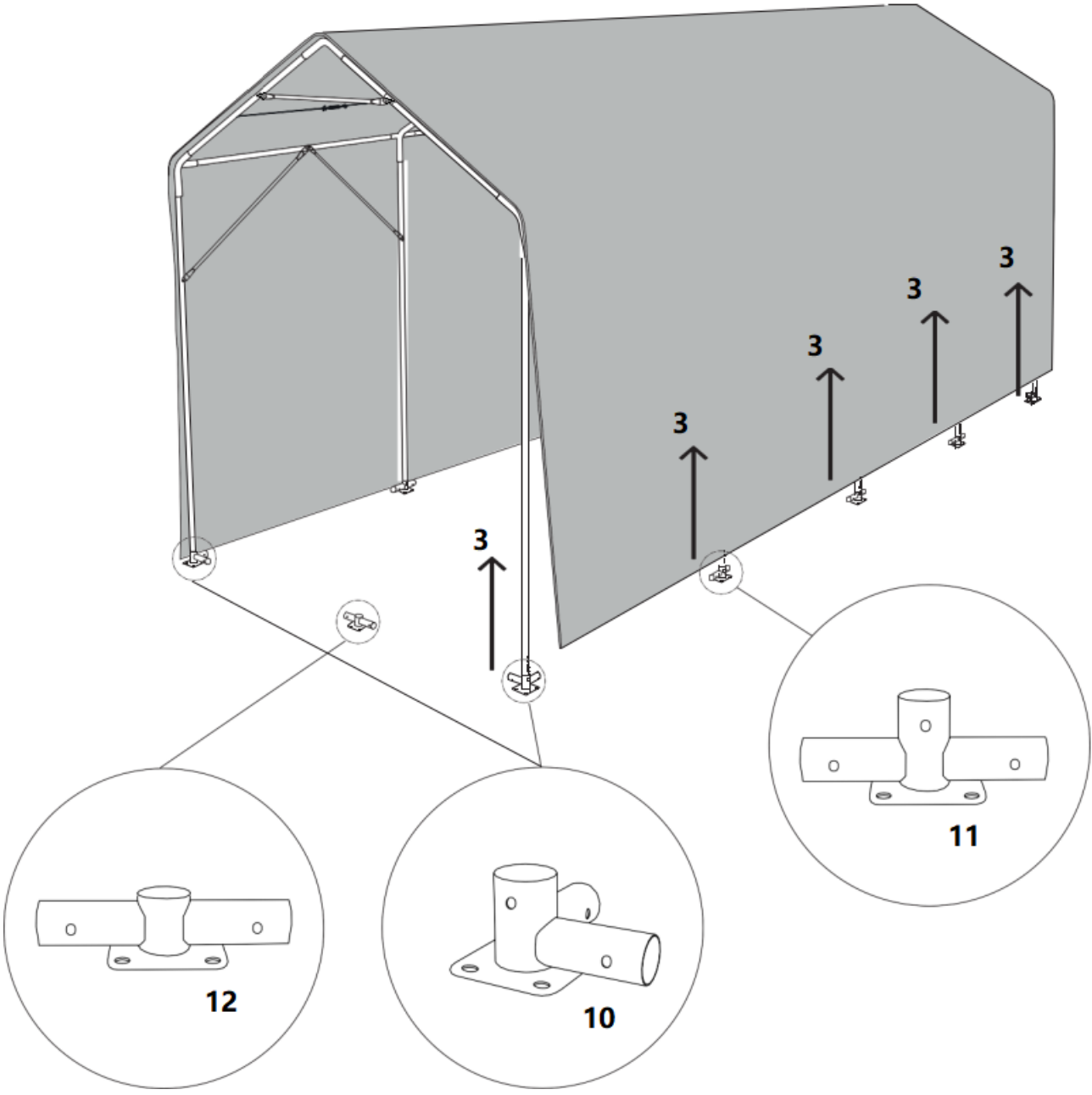
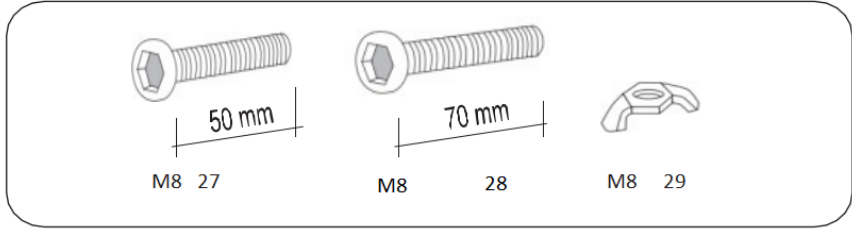
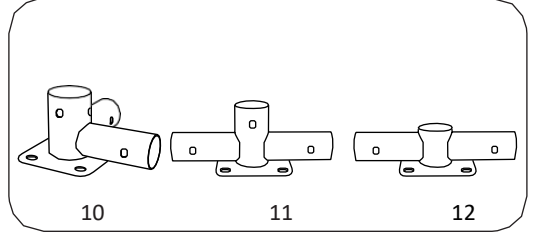
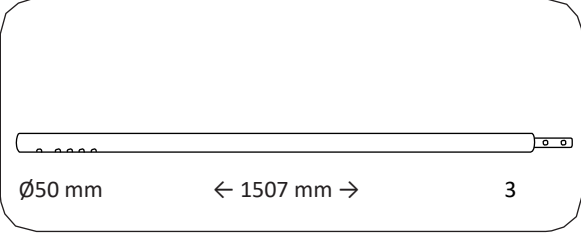
8



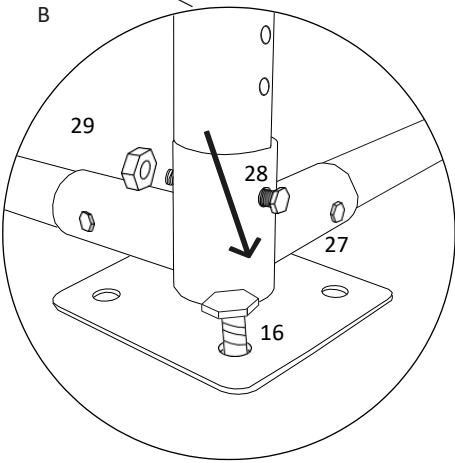
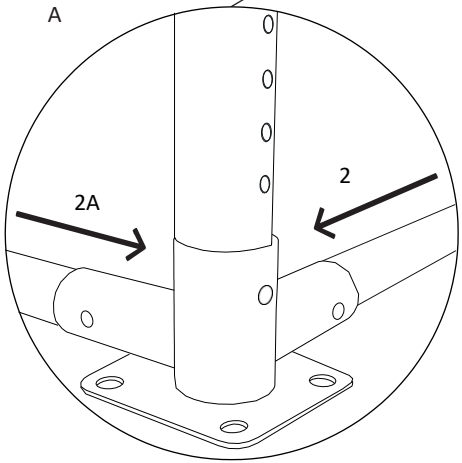
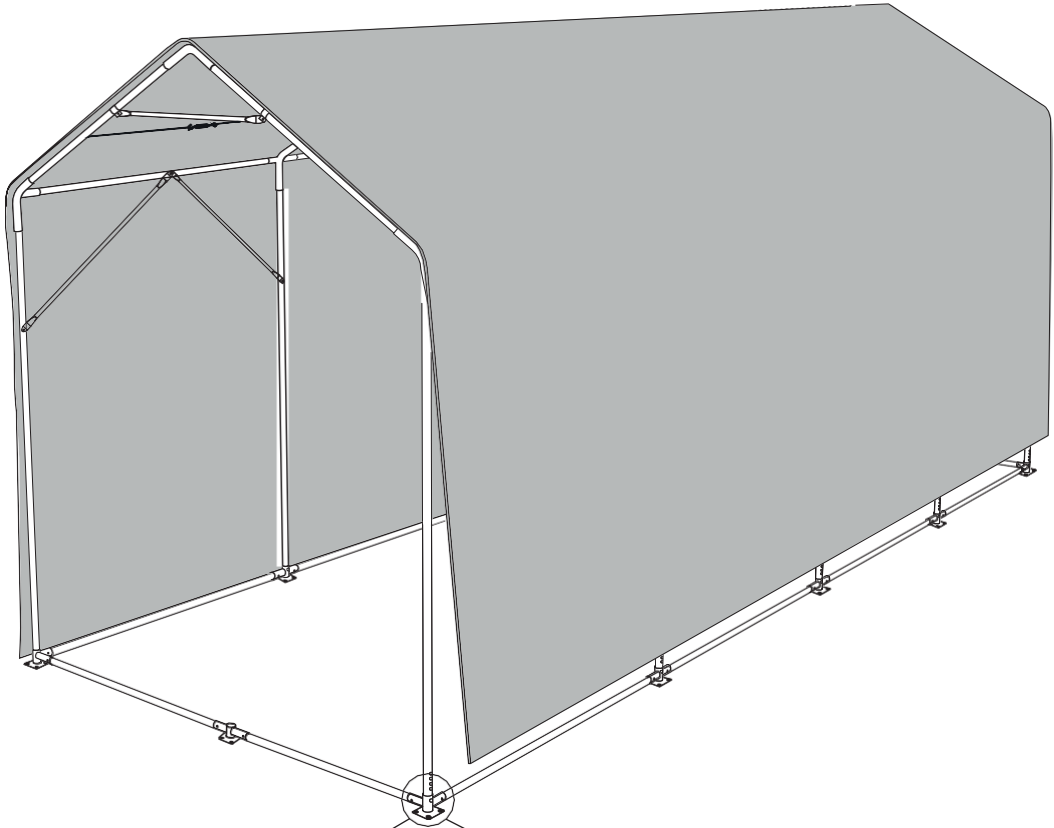
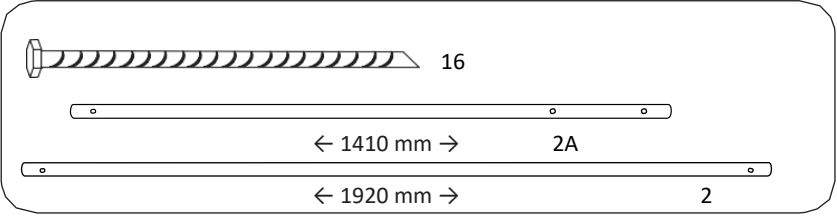
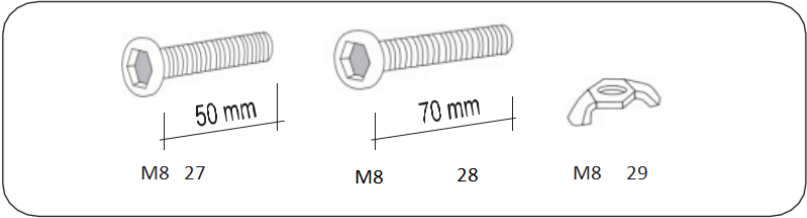
9



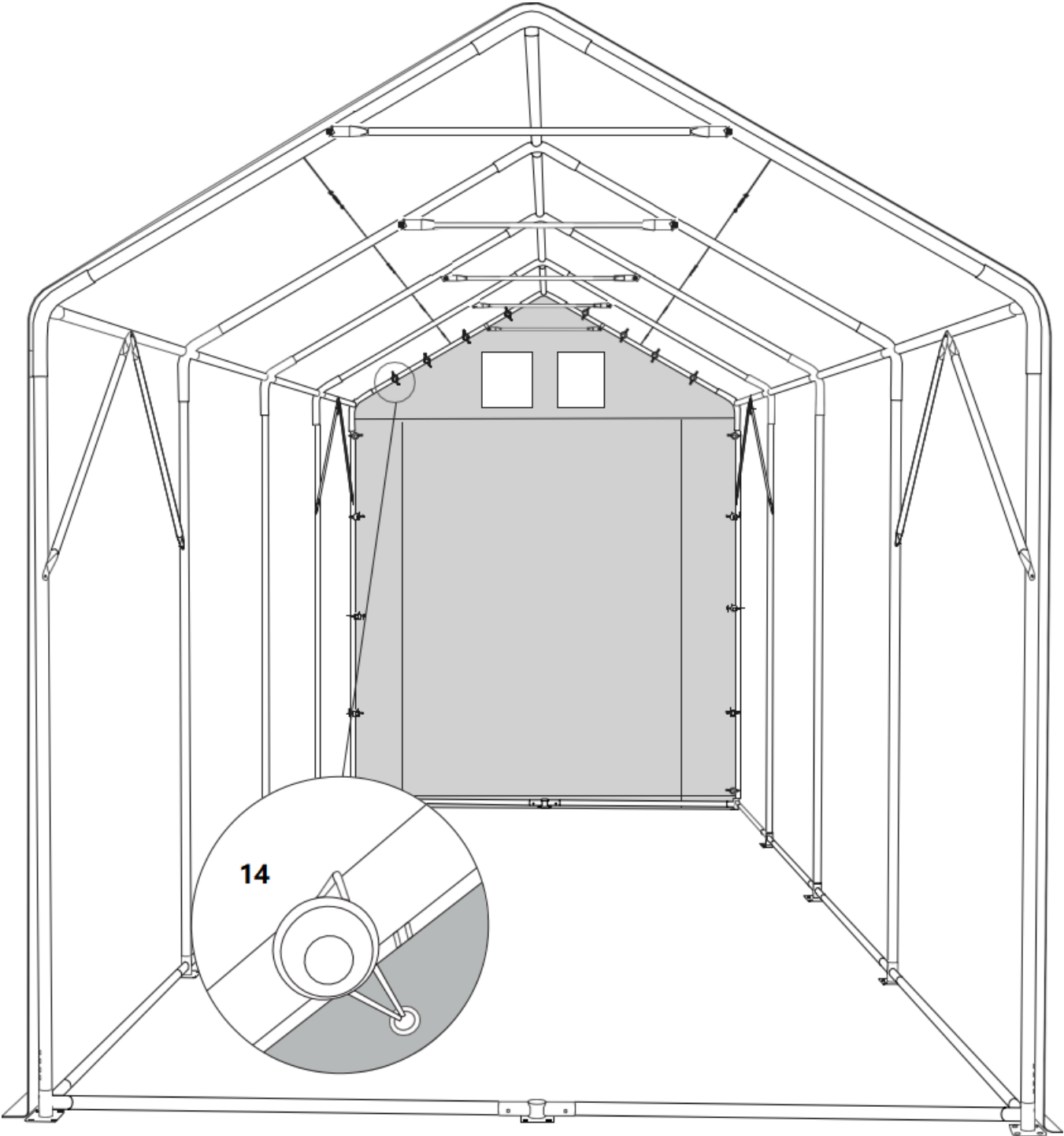
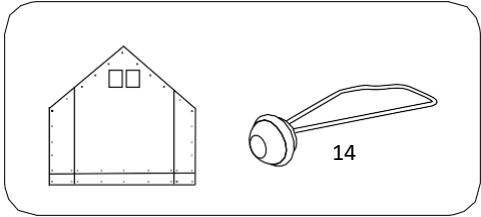
10



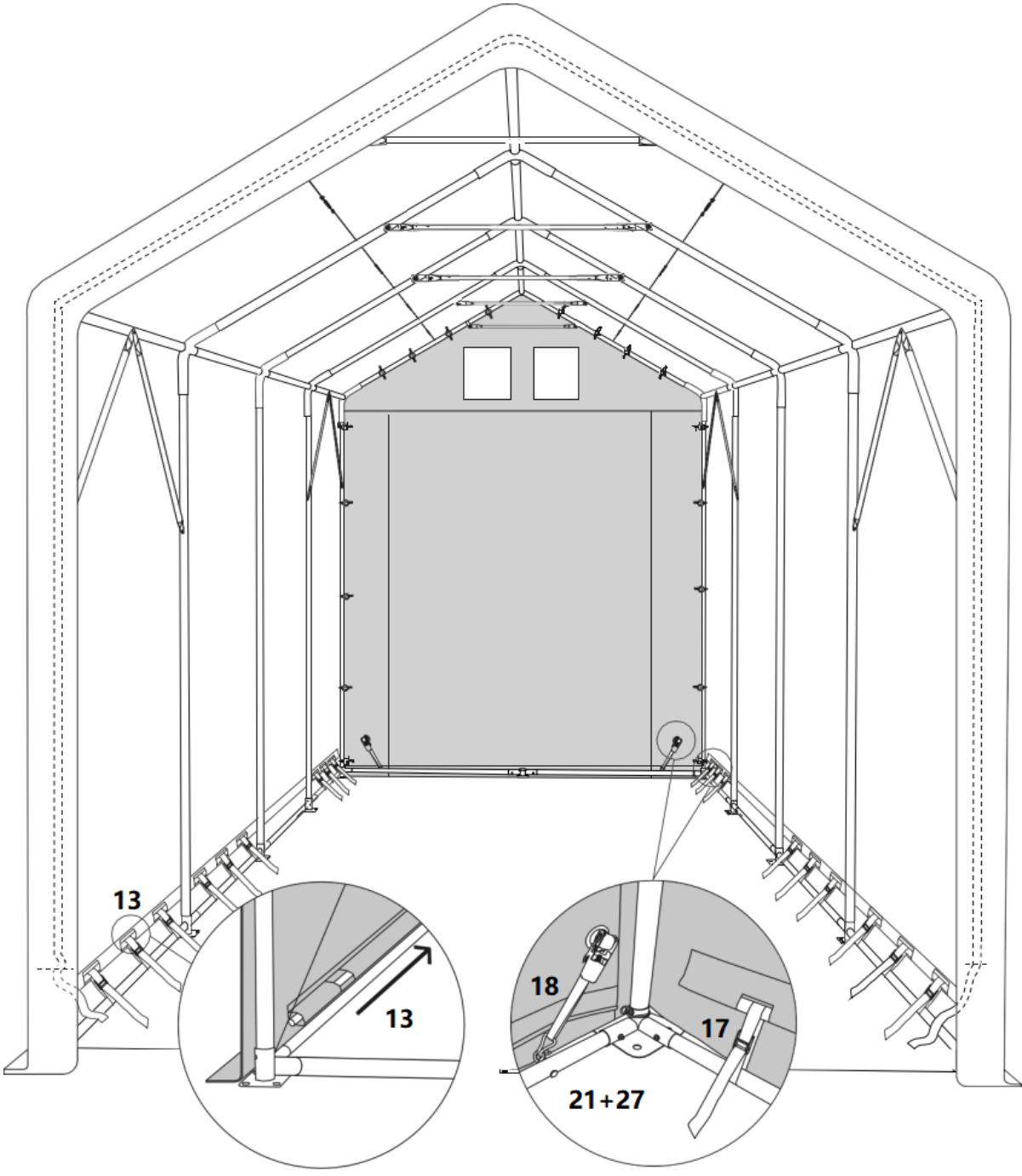
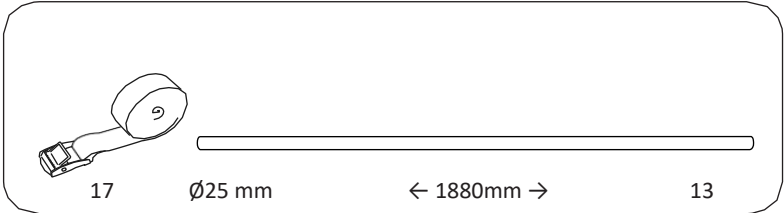
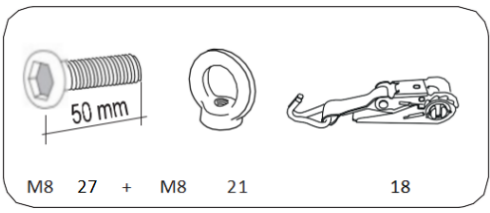
11



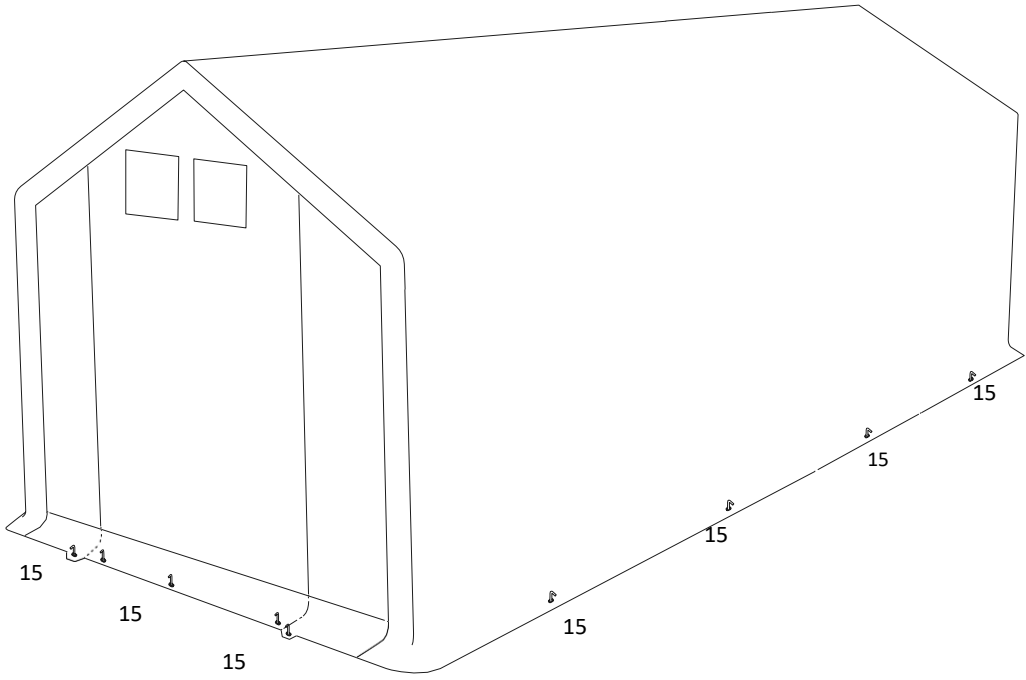
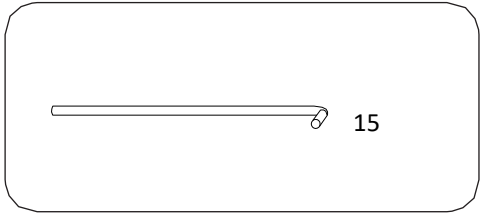
12



13



14



U K T E N T S . C O M