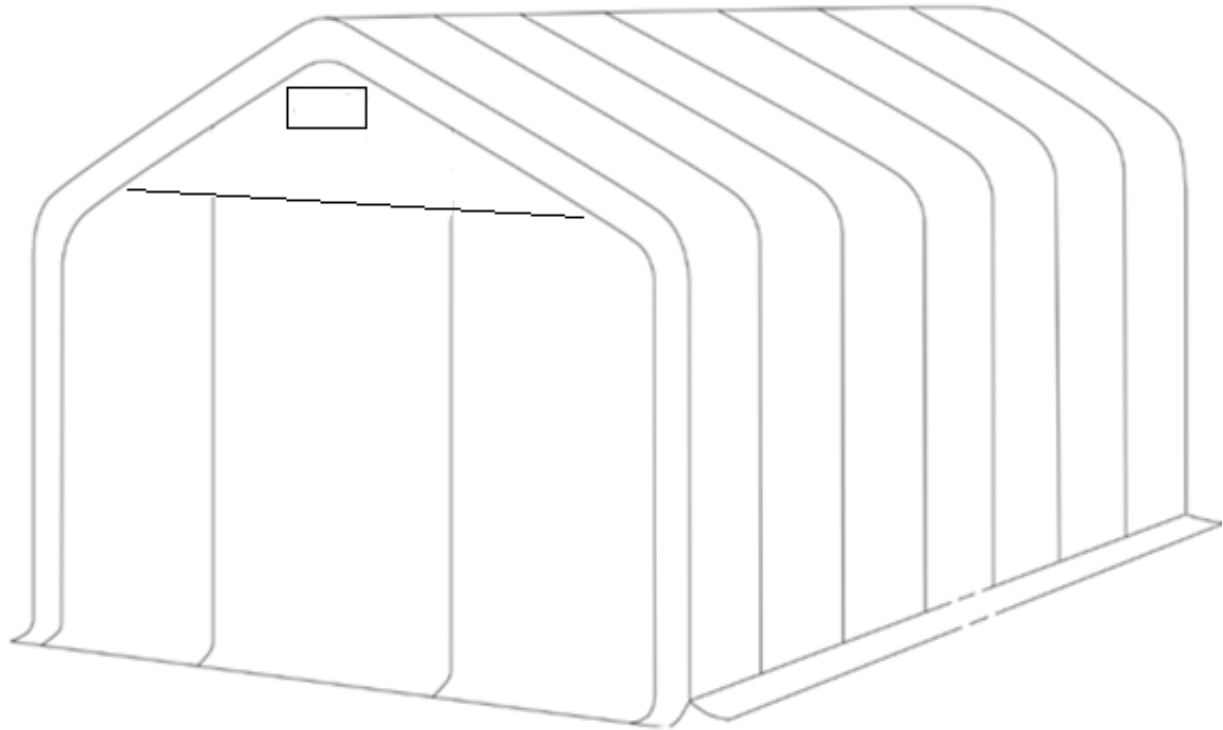


3.5m - series ★★★★★PROFESSIONAL CARPORT

3,5 m x 5 m / 3,5 m x 6,25 m / 3,5 m x 7,5 m /

3,5 m x 8,75 m / 3,5 m x 10 m



Please read instructions COMPLETELY before assembly. This tent MUST be securely anchored.

This tent is a temporary structure and should be disassembled at harsh weather conditions as stormy winds, snowfall or ice.

Warnings

Prior to installation, consult with all local municipal codes regarding installation of temporary shelters. The owner of the tent has the sole responsibility to make sure that these local rules are followed and that the mounting is correct.

We are not responsible for damage to the unit or the contents from acts of nature.

It is always recommended that you secure your tent properly with storm straps and ground pegs when you put up the structure. Proper Anchoring system selection is your responsibility. Heavy duty Anchor are sold separately and are not included in this product.

Periodically check the anchors to ensure stability of shelter.

In case of extreme weather conditions, the tent cover must be removed.

Any shelter that is not anchored securely has the potential to fly away causing damage. We are not responsible for any shelter that blows away.

This canopy is intended to protect against the effects of sun, rain, light snow, etc. It is not designed to hold

3.5m - series ★★★★★PROFESSIONAL CARPORT

the loads that can accompany wind, rain, snow or ice storms. This structure is not tested for specific snow, rain and wind loads.

Do not use open fire, welding equipment or other ignition sources in the tent.

Cleaning and Storage

A tight cover ensures longer life and performance. Always maintain a tight cover. Loose fabric can accelerate deterioration of cover fabric.

Immediately remove any accumulated water, snow or ice from the roof structure.

DO NOT use bleach or harsh abrasive products to clean the fabric cover. Cover is easily cleaned with mild soap and water.

Safety Instructions

Please use gloves and stable shoes when assembling the metal frame portion of this unit. The metal components may have sharp edges and be oily cause of the metal processing.

Snow must be removed from the tarpaulin in a timely manner. Temporary accommodation as tents should be taken down in adverse weather condition like heavy wind, snowfall and ice.

Ensure sufficient distance of the tarpaulin to heat sources, electrical-, gas- and other pipes (min. 1.2m). You can obtain detailed information from your responsible authority.

Pay attention to the following points when choosing a location:

The pavilion must stand on a flat, non-slip and safe place

choose a sheltered location

Avoid damage to the material, please place the pavilion so that it cannot rub or chafe on branches, parts of buildings etc.

Put up the pavilion at a safe distance to fire places and pay attention to the direction of the wind

Leave your pavilion to dry in an erected position before packing it away

Assembly Instructions

Step 1. Assembly of arches

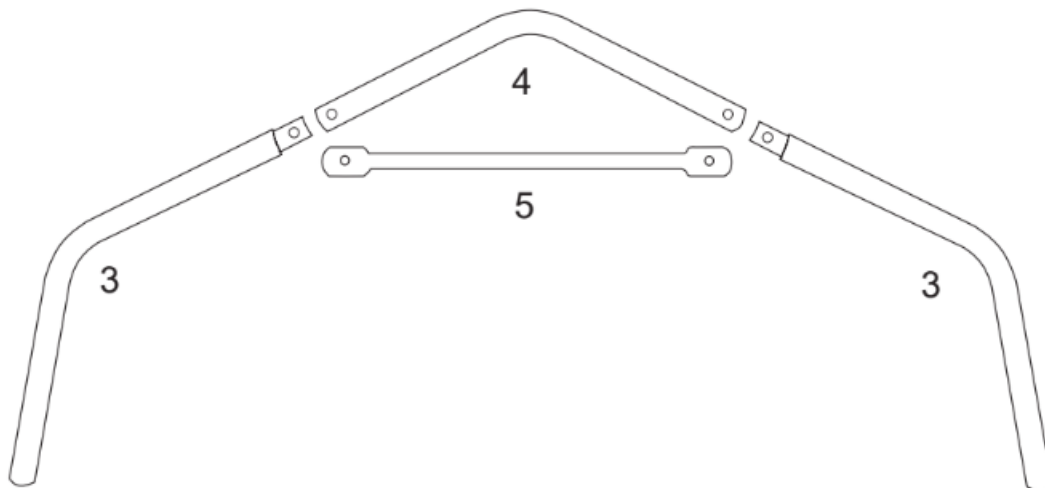
a) Take one arch (4); assemble with one main corner arch (3) on the left side.

b) Take the other corner arch (3) on the right side.

c) Take one completed arch; put bolt (12) through holes on the right side and attach bar (5) over bolt and tighten wing nut (14).

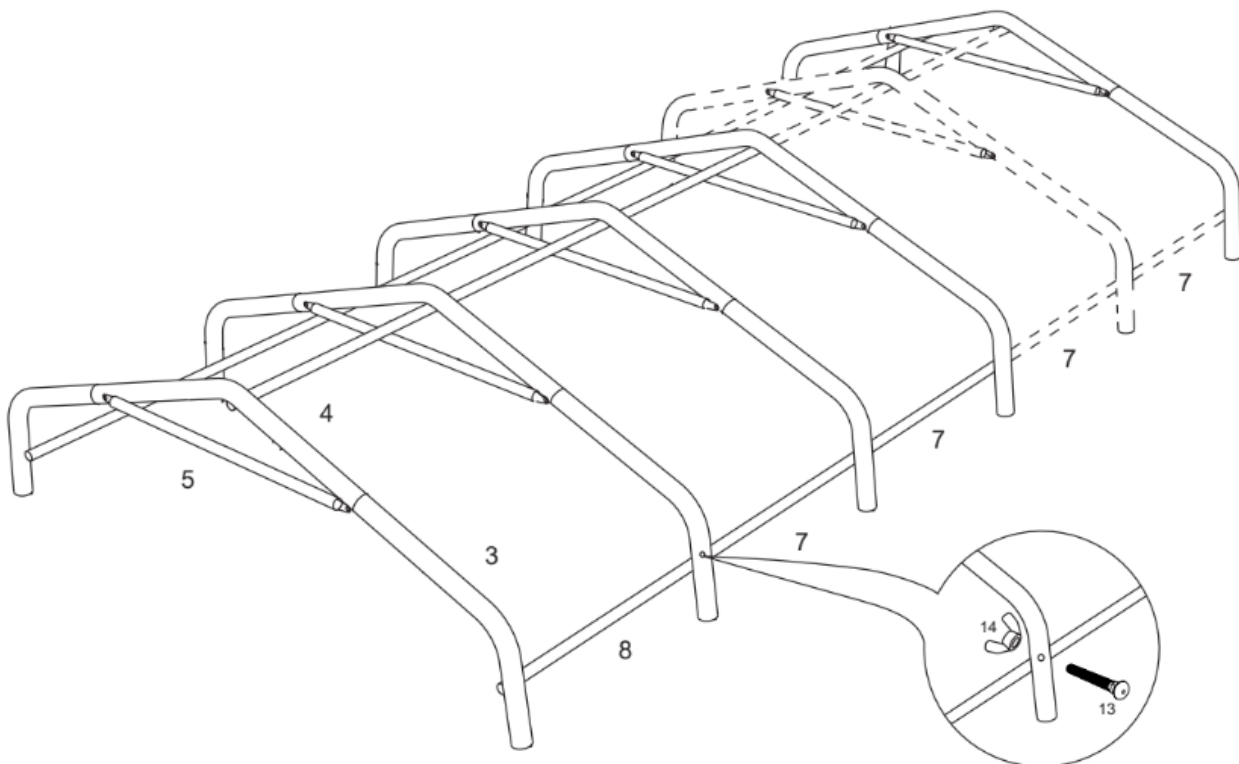
d) Repeat same procedures on the left side.

3.5m - series ★★★★★PROFESSIONAL CARPORT



Step 2. Repeat step 1 for the remaining arches. Use horizontal bars (7, 8) to connect the above arches together with bolt (13) and wing nut.

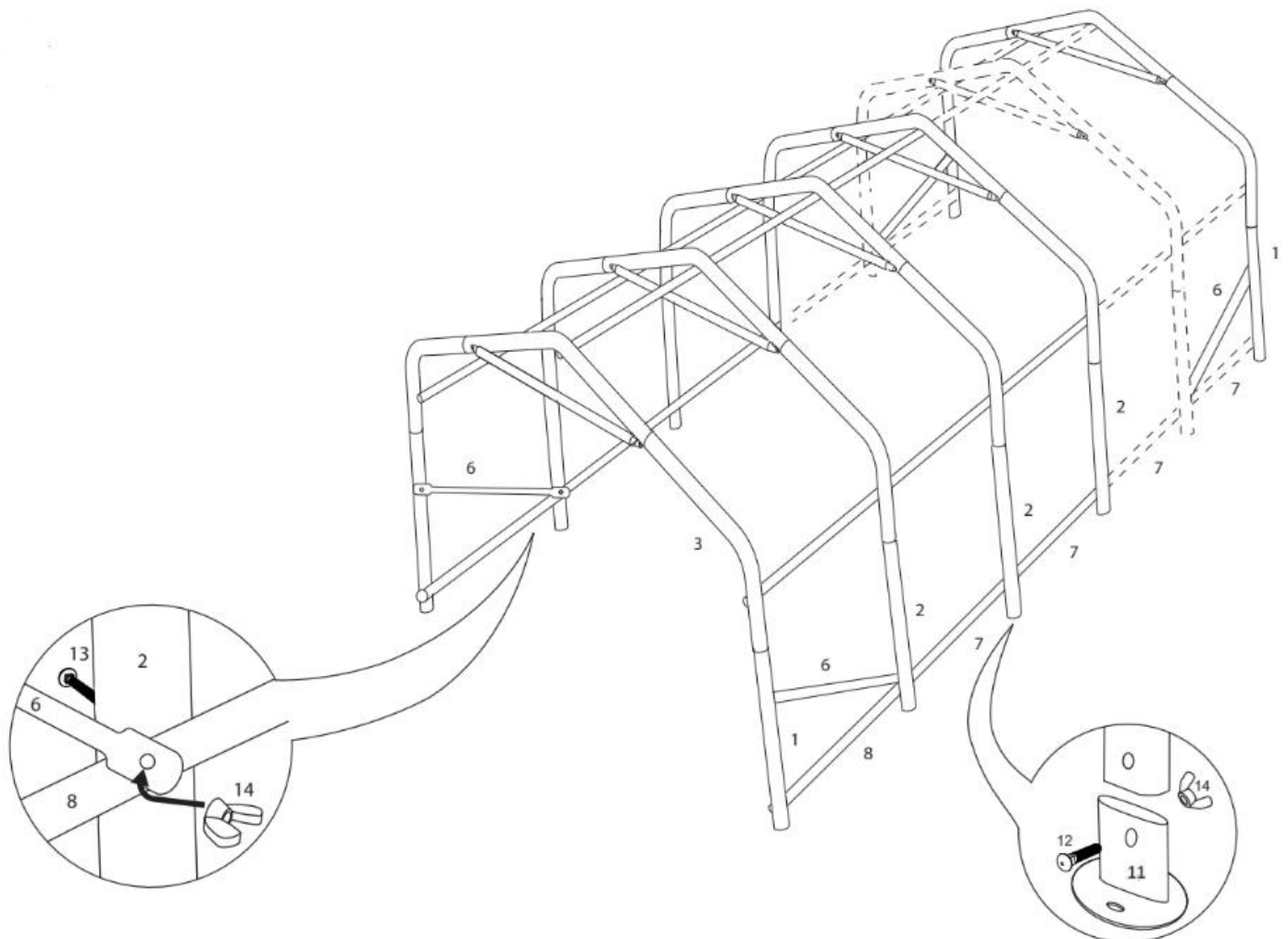
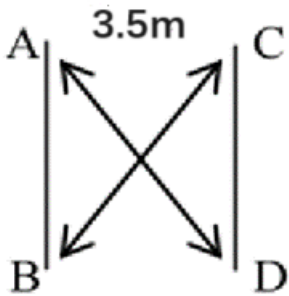
Note: 1.25 meter per section, e. g. 3.5x5m has 4 section, 3.5x6.25m has 5 sections, 3x7.5m has 6 sections, 3x8.75m has 7 sections and 3.5x10m has 8 sections.



3.5m - series ★★★★★ PROFESSIONAL CARPORT

Step 3. Assembly of legs

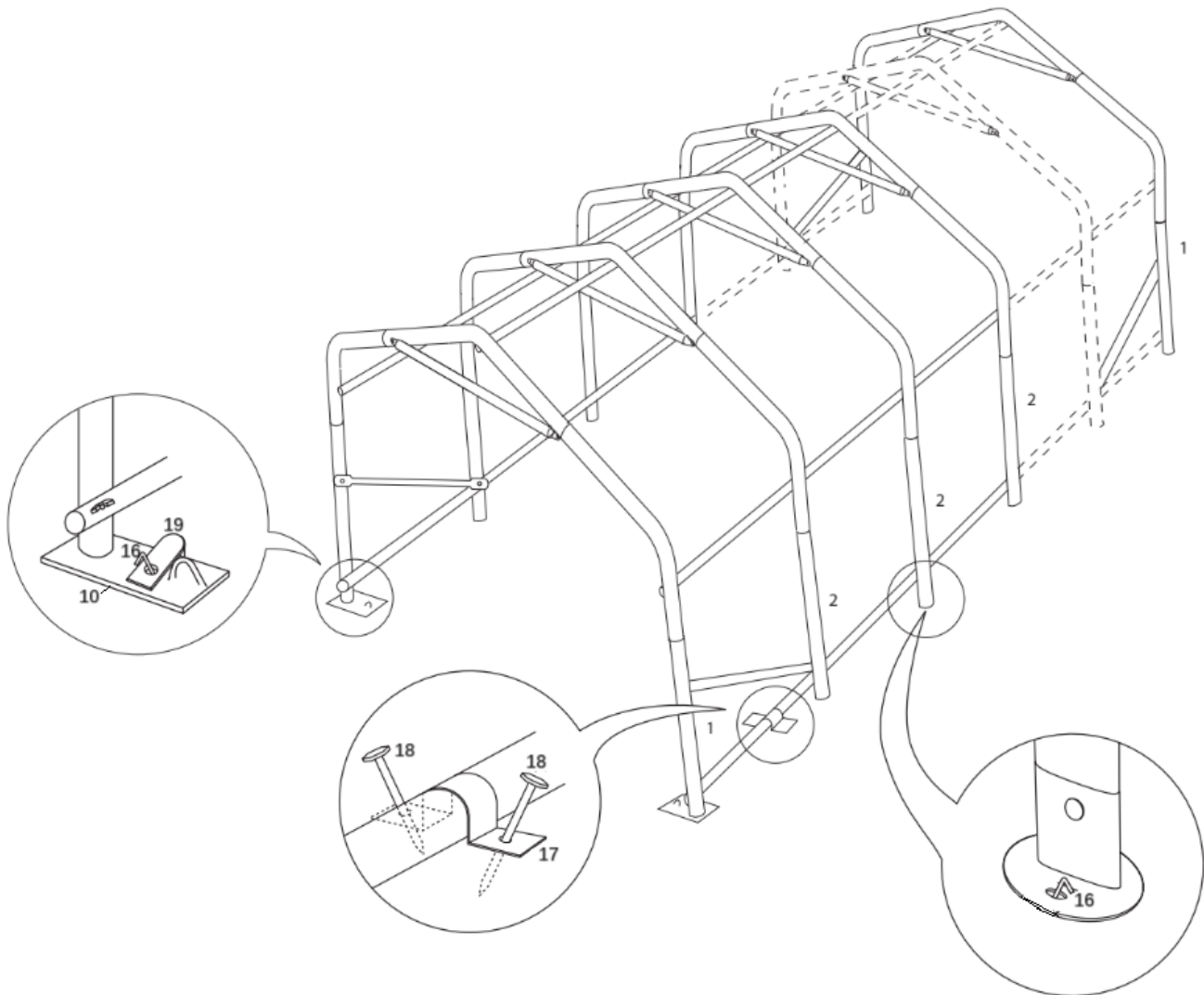
- Assemble legs (1,2) with bottom horizontal bars (7,8) on all sections with bolt (13) and wing nut (14). Bars (8) are all on the front end of tent. Adding diagonal bar (6) with Bolt (13) and wing nut.
- Insert legs (1,2) into an end arch (3) one side at a time.
- Repeat the above steps until another side is completed.
- Attached corner foot (10) and middle foot (11) to legs with bolt (12) and wing nut. Insert plastic caps (22) into bars (7,8) on the ends of tent.
- Make sure the base is open to 3.5m and make sure the distances AD and BC have exactly the same length as per illustration, lengths depend on the model.



3.5m - series ★★★★★PROFESSIONAL CARPORT

Step 4. Fix tent frame to ground

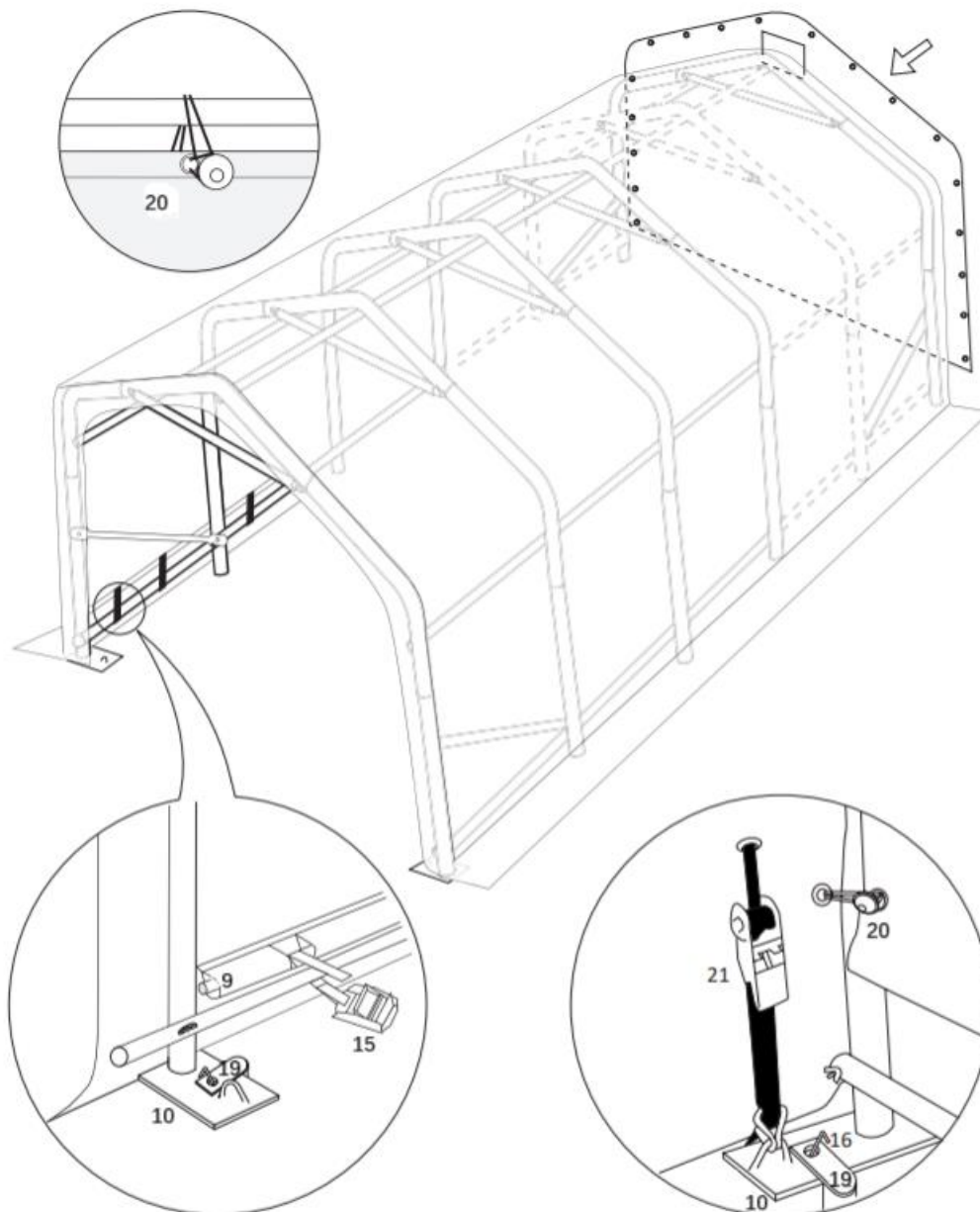
- Use peg (16) to fasten each foot (11) to ground.
- Use tube peg (19) and peg (16) together to fasten the corner foot (10) to ground. Peg (16) through the plate hole of tube peg (19).
- Use bracket (17) and long peg (18) to fasten the tent four corners.
- For concrete ground, you need buy expansion screws separately instead of pegs.



3.5m - series ★★★★★ PROFESSIONAL CARPORT

Step 4. Cover installation (Ties are always on the inside)



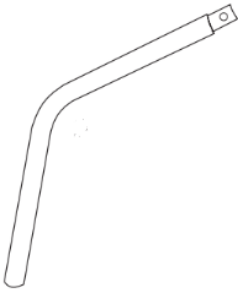









- Attached end walls (24) to frame with bungees (20).
- Place the cover (23) onto the shelter as illustrated. There should be an equal amount of over-hang at all four corners.
- Slide rails (9) through fabric pockets at each leg, and then strap cover rails with metal buckles (15) to the ground rails (7,8) to tighten the cover onto the frame.
- Insert the hook of ratchet clamp into ring on the corner foot (10). Insert the cover's webbing into the spindle of the ratchet and pull tight. Wind the ratchet so that the webbing overlaps itself. Tighten ratchets, alternating from one side to the other, until the cover is tight.





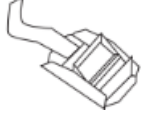



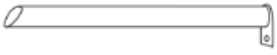



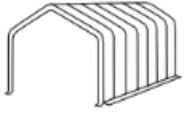

3.5m - series ★★★★★ PROFESSIONAL CARPORT

Parts List

Quantity

Item	Design	5m	6.25m	7.5m	8.75m	10m
(1) Pole 1566mm		4	4	4	4	4
(2) Pole 1566mm		6	8	9	12	15
(3) Corner arch 1370mm		10	12	8	10	12
(4) Peak arch 1340mm		5	6	7	8	9
(5) Brace 1228mm		5	6	7	8	9
(6) Brace 1506mm		4	4	4	4	4
(7) bar- 1317mm		15	20	25	30	35
(8) bar- 1265mm		5	5	5	5	5
(9) Rail - 1150mm		8	10	12	14	16
(10) Corner Foot		4	4	4	4	4
(11) Foot		6	8	10	12	14
(12) Bolt 45mm		20	24	28	32	36

3.5m - series ★★★★★PROFESSIONAL CARPORT

(13) Bolt 75mm		29	34	39	44	49
(14) Wing nut		49	58	67	76	85
(15) Buckle		16	20	24	28	32
(16) Peg- 8x300mm		10	12	14	16	18
(17) Bracket		4	4	4	4	4
(18) Peg- 10x305mm		8	8	8	8	8
(19) Tube peg- 400mm		4	4	4	4	4
(20) Bungee		32	32	32	32	32
(21) Ratchet fastener		4	4	4	4	4
(22) Plastic Cap		10	10	10	10	10
(23) Roof		1	1	1	1	1
(24) Endwall		2	2	2	2	2



U K T E N T S . C O M